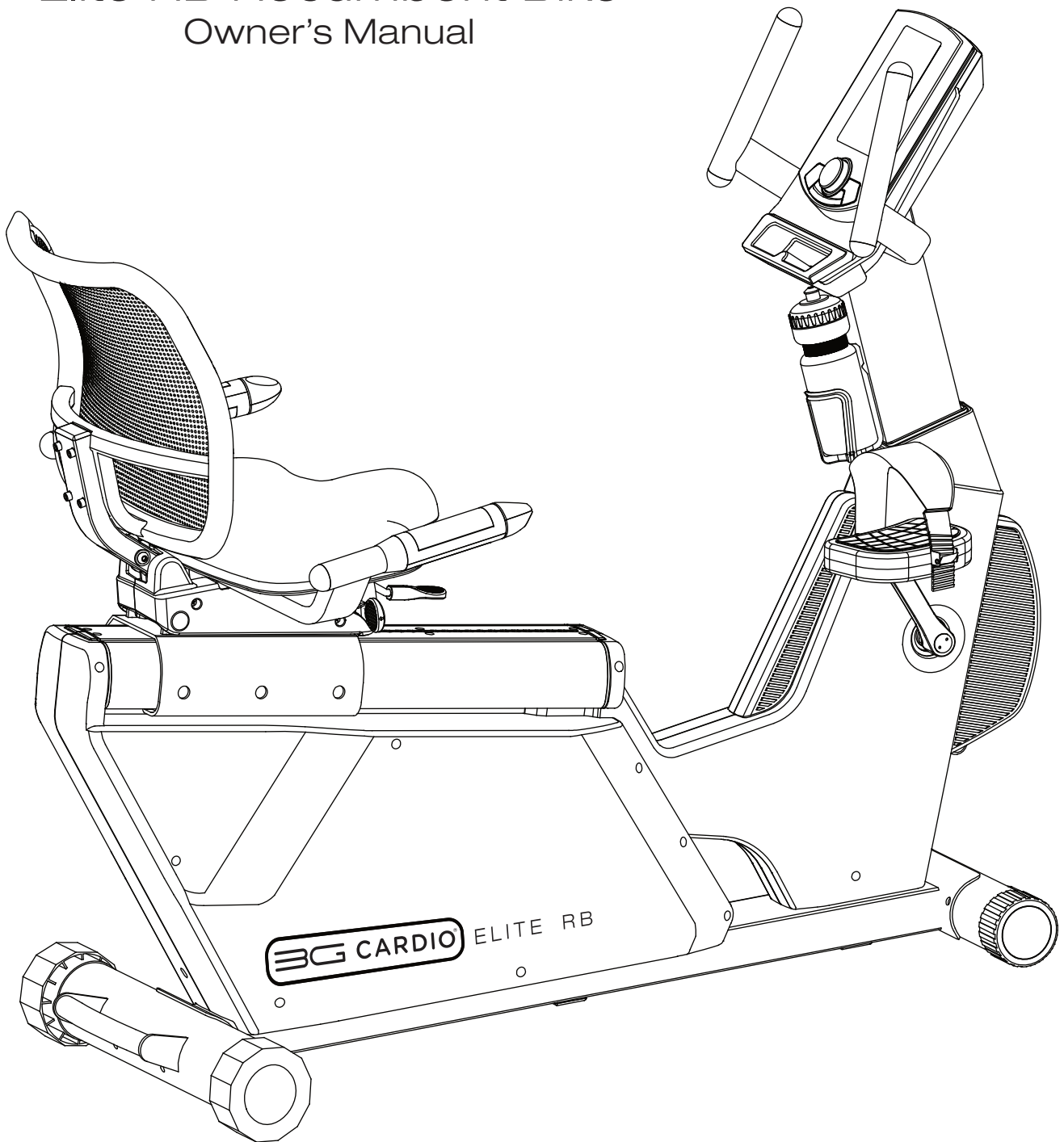




Elite RB Recumbent Bike

Owner's Manual



Questions? Call 888-888-7985

3G Cardio • 14647 So. 50th St. Suite 110 • Phoenix, AZ 85044

IMPORTANT! PLEASE READ:

MISSING ITEMS?

Before throwing away packaging, please inspect Styrofoam to ensure all parts have been removed. Some parts are harder to find! Turn Styrofoam upside down and inspect from all angles before discarding.

If you purchased your 3G Cardio product from an online retailer (3GCardio.com, Amazon, Costco etc..) and need help or have questions, comments or concerns, please call or email us (3G Cardio) directly. We are not operators, we are experienced fitness professionals and can help you with anything and everything!

If you purchased your 3G Cardio product from a “brick and mortar” retail store, feel free to contact the store directly with any questions or concerns. You are still more than welcome to contact us too!



3G Cardio Fitness Equipment
14647 So. 50th Street Suite 110
Phoenix, AZ 85044

1-888-888-7985
www.3GCardio.com
support@3gcardio.com

© Copyright 3G Cardio LLC
All Rights Reserved

Questions? Call 888-888-7985

3G Cardio • 14647 So. 50th St. Suite 110 • Phoenix, AZ 85044

Table of Contents

Welcome to 3G Cardio!	1
Safety Warnings and Precautions	2
Heart Rate and Exercise Preparations:	3
Warm Up / Cool Down	4
Hardware List	5-6
Bike Assembly	7-12
Moving Your Exercise Bike:	12
Programming Your Exercise Bike	
Button and Display Functions	13-14
Pre-Programmed Workouts	15-18
Heart Rate Control Programs	19
Constant Watts Programs	20
Unit of Measure Adjustment	21
Maintenance	22
Exploded Diagram	23-24
Parts List	25-26
Warranty	27

Welcome to the 3G Cardio Family!

We are a highly experienced team of health and fitness equipment experts with over fifty years experience in the health and fitness industry. Our two main goals are to offer outstanding exercise equipment and to provide the best customer service experience possible.

We understand that you have many choices when it comes to fitness equipment. We know that our continued success is based upon the quality of the products we deliver and the client support we provide.

We will never cut corners to save money and we will always exceed your expectations!

If you ever have questions, problems or concerns, please contact us right away. We are fantastic at what we do and we would love a chance to prove it to you.

3G Cardio Family

1-888-888-7985

Support@3GCardio.com

SAFETY WARNING

- Read and understand owner's manual thoroughly.
- Consult with a physician prior to using this machine.
- Misuse of this machine may result in injury.
- Do not allow children or pets on or around this machine.
- Always use this machine on a level surface.
- Keep body and clothing free and clear of all moving parts.
- Heart rate readings are for reference only and may be inaccurate.
- This product is not intended for medical purposes.
- Replace warning label if damaged, missing or illegible.

IMPORTANT: Read all instructions and warnings before using this bike.

IMPORTANT VOLTAGE INFORMATION! Before plugging the power cord into an electrical outlet, verify that the voltage requirements for your area match the voltage of the bike that you have received. The power requirements for this bike are: Input: 100v 240V 50/60H

GROUNDING INSTRUCTIONS: This bike must be grounded. If it should malfunction or break down, grounding provides a path of least resistance for electric current to reduce the risk of electric shock. The plug must be plugged into an appropriate outlet that is properly installed and grounded in accordance with all local codes and ordinances.

DANGER! Improper connection of the equipment-grounding conductor can result in a risk of electric shock. Check with a qualified electrician or service provider if you are in doubt as to whether the bike is properly grounded.

CONSULT A PHYSICIAN IMMEDIATELY! Warning: Before starting any exercise program consult your physician. This is especially important for individuals over the age of 35 or persons with preexisting health problems. Read all instructions before using any fitness equipment. 3G Cardio LLC assumes no responsibility for personal injury or damage sustained by or through the use of this bike.

IMPORTANT SAFETY INSTRUCTIONS:

- Obtain a medical exam before beginning any exercise program.
- Keep children and pets away from the bike. Teenagers and disabled persons must be supervised while using the bike.
- Stop exercising if you feel faint, dizzy, or experience pain at any time while exercising and consult your physician.
- Disconnect all power before servicing this bike.
- Connect the bike to a properly grounded outlet only. • Do not operate this machine in damp or wet locations.
- Inspect the bike for worn or loose components and bolts before each use.
- Do not operate the bike if: 1) The power cord is damaged. 2) The bike is not working properly. 3) The bike has been dropped or damaged.
- Do not use this bike outdoors.
- Read and understand this owner's manual completely before using the bike.
- Read and understand all warnings posted on the bike and in this owner's manual.
- Do not wear loose or dangling clothing while using the bike.
- Always wear proper footwear on or around exercise equipment.
- Set up and operate the bike on a solid, level surface.
- Modifying this bike in any way will void all 3G Cardio warranties.

WARM UP & COOL DOWN

A successful exercise program consists of a warm up, aerobic exercise, and a cool down. Warming up is an important part of your workout, and should begin every session. It prepares your body for more strenuous exercise by heating up and stretching out your muscles. At the end of your workout, repeat these exercises to properly cool down. We suggest the following warm up and cool down exercises:

1

Head Rolls

Rotate your head to the right for one count, feeling the stretch up the left side of your neck. Next rotate your head back for one count, stretching your chin to the ceiling and letting your mouth open. Rotate your head to the left for one count, and finally, drop your head to your chest for one count.



5

Toe Touches

Slowly bend forward from your waist, letting your back and shoulder relax as you stretch toward your toes. Reach down as far as you can and hold for 15 seconds.



2

Shoulder Lifts

Lift your right shoulder up toward your ear for one count. Then lift your left shoulder up for one count as you lower your right shoulder.



6

Quadriceps Stretch

With one hand against a wall for balance, reach behind you and pull your right foot up. Bring your heel as close to your buttocks as possible. Hold for 15 counts and repeat with left foot up.



3

Side Stretches

Open your arms to the side and continue lifting them until they are over your head. Reach your right arm as far upward toward the ceiling as you can for one count. Feel the stretch up your right side. Repeat this action with your left arm.



7

Hamstring Stretches

Sit with your right leg straight in front of you. Straighten your leg out while trying to hold on to your outstretched leg with your hand. Starting up with your back straight. Slowly exhale and try to bring your chest to the knee of your outstretched leg. Hold, then repeat on the other side for 15 seconds.



4

Inner Thigh Stretch

Sit with the soles of your feet together with your knees pointing outward. Pull your feet as close into your groin as possible. Gently push your knees toward the floor. Hold for 15 counts.



8

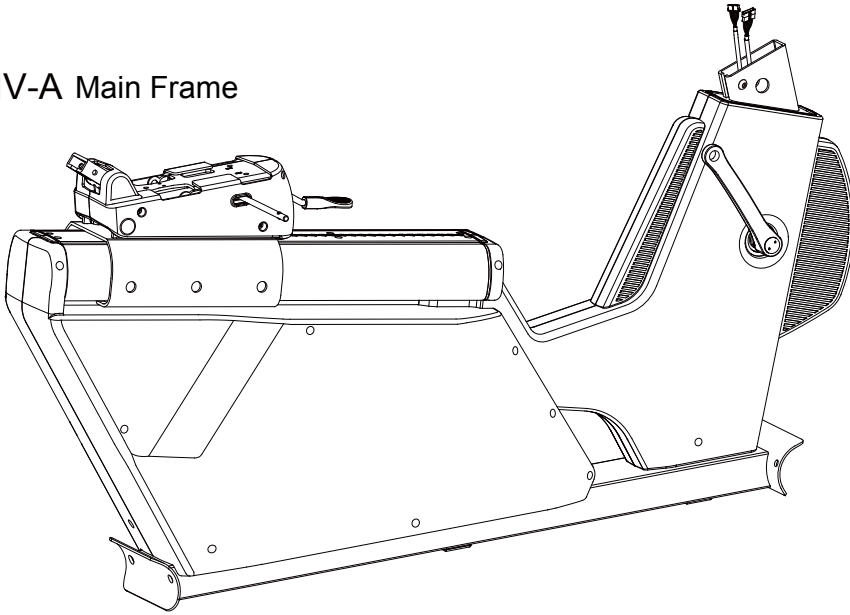
Calf / Achilles Stretch

Lean against a wall with your left leg in front of the right and your arms forward. Keep your right leg straight and the left foot on the floor; then bend the left leg and lean forward by moving your hips toward the wall. Hold, then repeat on the other side for 15 seconds.

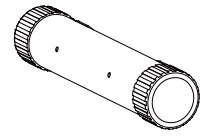


Parts List

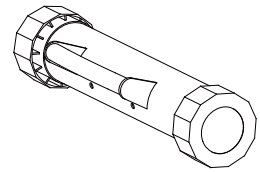
IV-A Main Frame



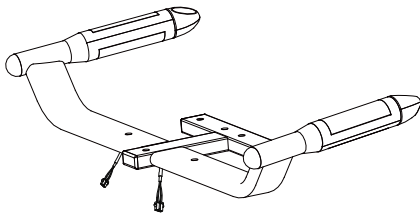
IV-B Front Stabilizer



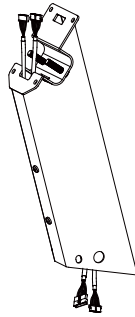
IV-C Rear Stabilizer



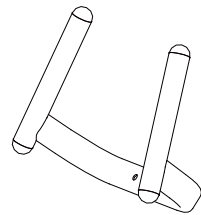
IV-F Side Handle Bar



IV-E Central Support Tube



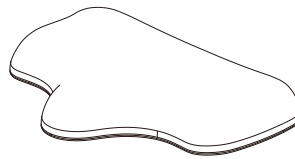
IV-D Front Handle Bar



IV-G Back Pad Support Tube



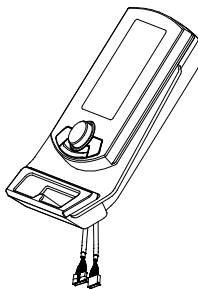
IV-K Seat Pad



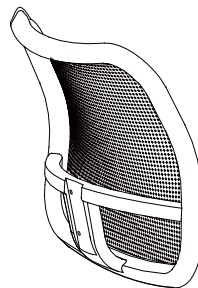
IV-J1 Bottle Holder



IV-H Console



IV-L Back Pad

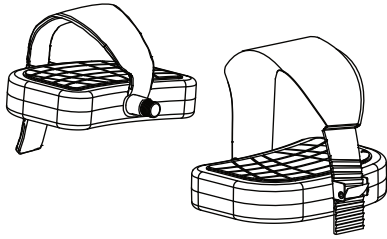


IV-J2 Water Bottle

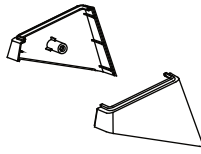


Parts List

IV-M1 & IV-M2 Pedal



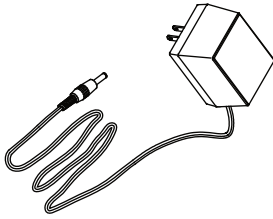
IV-M3 & IV-M4 Support Tube Covers



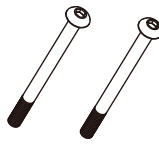
IV-M5 Bar



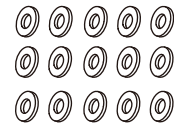
IV-M6 Adaptor



IV-N1 Bolts



IV-N2 Washer



IV-N3 Bolts



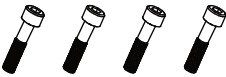
IV-N4 Bolts



IV-N6 Screw



IV-N7 Bolts



IV-N9 Nut



IV-N10 Bolts



IV-N11 Adjustment Paddle



IV-N13 Bolt



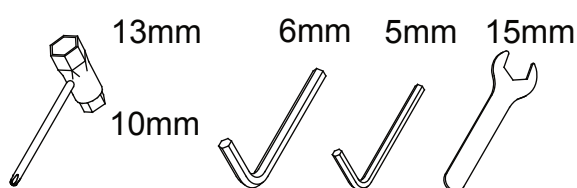
IV-N15 Spring Washer



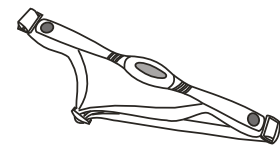
IV-N16 Bolt



Tool



Chest Strap Transmitter



⚠ NOTICE :

Turn the adjustment paddle (IV-N11) vertically and then insert (IV-N11) into axle.

WARNING

Use correct size tool to avoid stripping bolts!

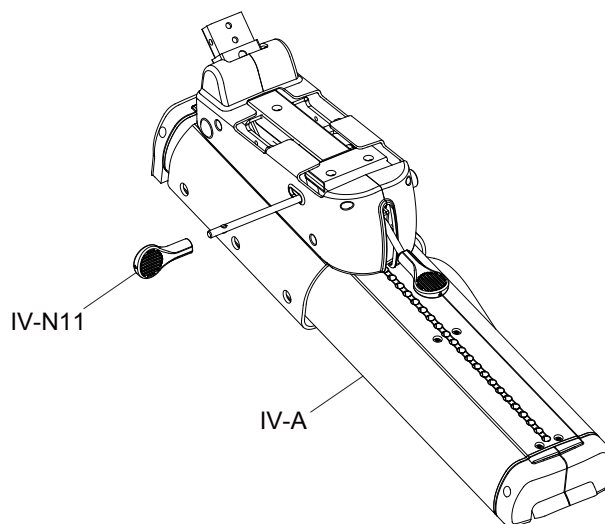


Figure 1

CONNECTING THE STABILIZER TUBES

Secure the rear stabilizer tube (IV-C) with the main frame (IV-A) by attaching 2x bolt (IV-N1), 2x spring washer (IV-N15) and 2x washer (IV-N2). Then, secure the front stabilizer tube (IV-B) with the main frame (IV-A) by attaching 2x bolt (IV-N3), 2x spring washer (IV-N15) and 2x washer (IV-N2). Tighten securely.

** After you finish assembling FIGURE 1, if the machine feels wobbly or is not fully stable, you can adjust (twist) the stabilizer feet (IV-C1) to balance the bike. Any questions, call us at 888-888-7985 (Ext 1).

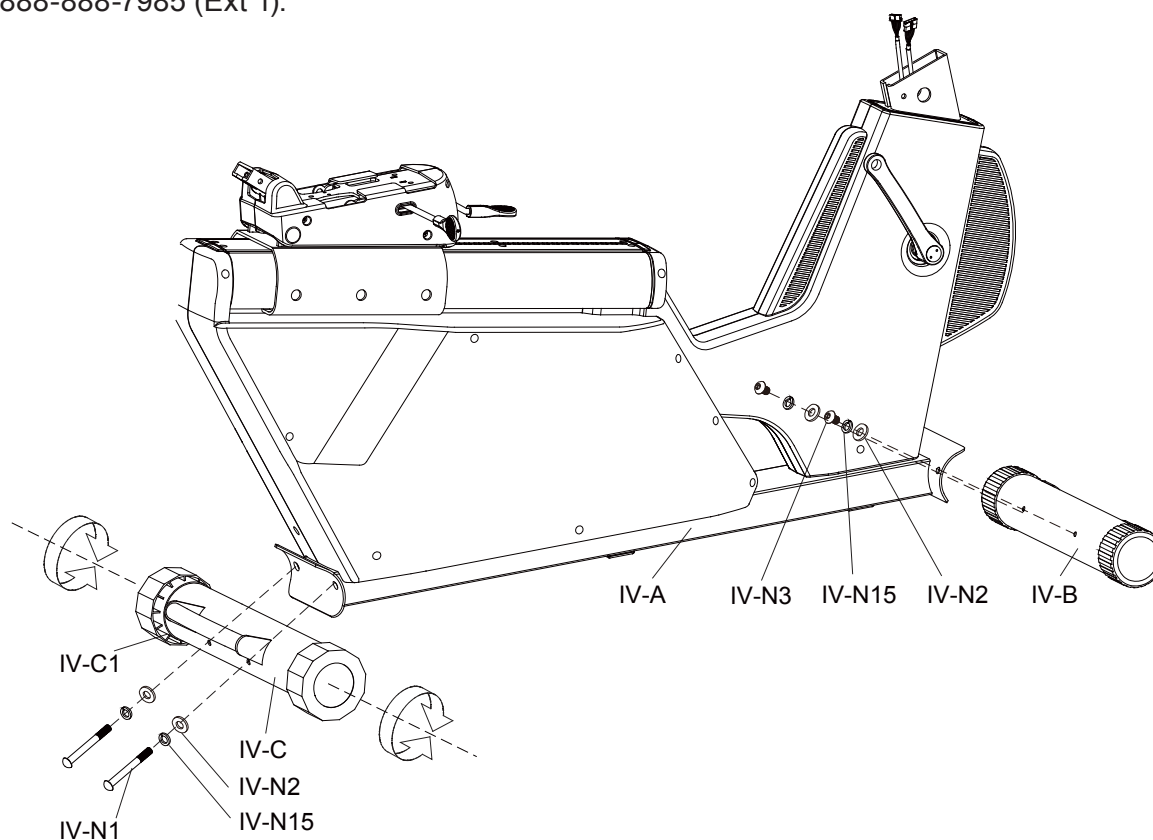


FIGURE 2

ASSEMBLY OF THE CENTRAL SUPPORT TUBE

First, remove 4x bolts (IV-N12) from the main frame.

Step 1. Connect the sensors, (IV-E2) with (IV-A1), (IV-E1) and (IV-A2).

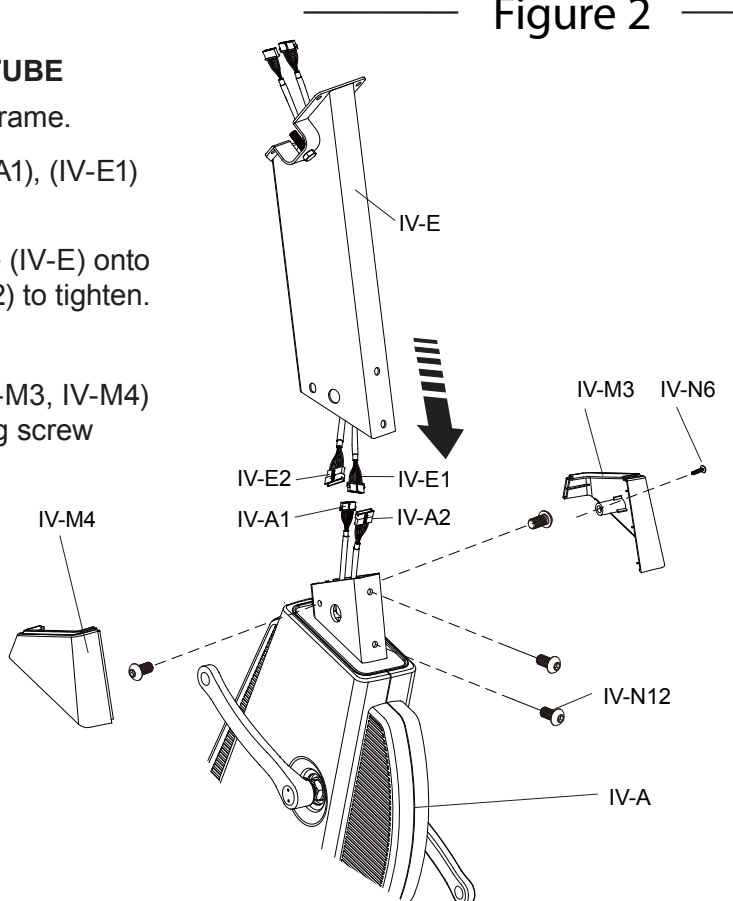
Step 2. Carefully slide the central support tube (IV-E) onto the main frame (IV-A) and use 4x bolts (IV-N12) to tighten.

Be careful to not pinch data cables!

Step 3. Connect (L) and (R) upright covers (IV-M3, IV-M4) around the central support tube (IV-E) by using screw (IV-N6).

DO NOT OVER TIGHTEN!

Figure 2



WARNING

Use correct size tool to avoid stripping bolts!

Figure 3

FIGURE 3

ASSEMBLE THE FRONT HANDLE BAR, DISPLAY CONSOLE & WATER BOTTLE HOLDER

Attach the front handle bar (IV-D) onto the metal plate of central support tube (IV-E) and secure with 2x nut (IV-N9).

Step 1. Remove 4x screws (IV-H1) from console (IV-H).

Step 2. Connect console wires (IV-E1 & IV-E2) to the console.

Make sure that the wires are connected properly and seeded correctly in the tube. Attach the console (IV-H) onto the central supporting tube (IV-E) using 4x screws (IV-H1).

BE CAREFUL TO NOT PINCH WIRES

Remove the 2x screws (IV-N14) from the central tube (IV-E), position bottle holder (IV-J1) onto the central tube (IV-E) and insert 2x screws (IV-N14) back into the tube.

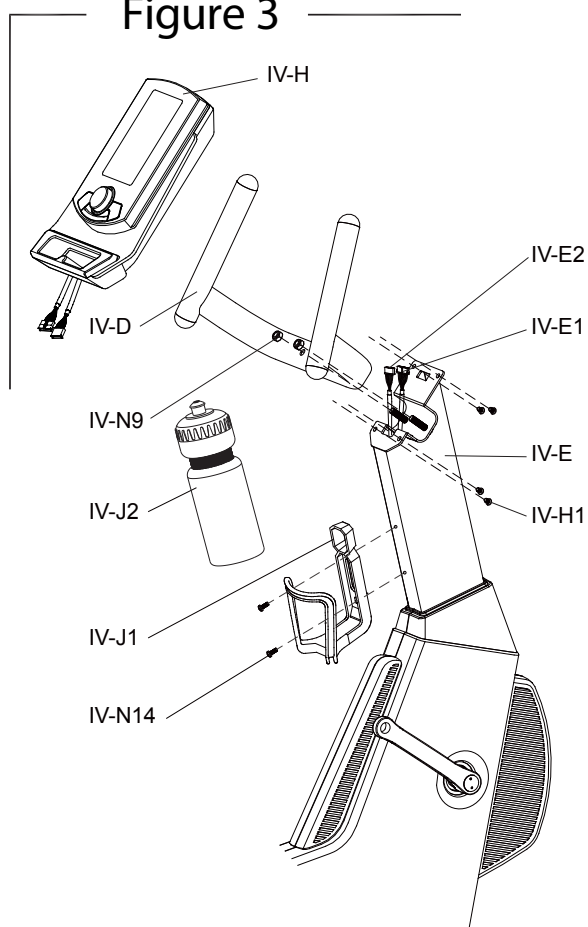


FIGURE 4

ASSEMBLE THE BACK PAD TUBE & SIDE HANDLE BAR

Connect the back pad support tube (IV-G) with the main frame (IV-A) using bolts (IV-N4) & washers (IV-N2).

Step 1. Next, connect the sensor (IV-F5 & IV-F4) with the control sensor (IV-A2).

Step 2. Attach the side handle bar (IV-F) onto the main frame (IV-A) using the 3x bolts (IV-N16) and 3x washers (IV-N2).

Be careful to not pinch data cables!

WARNING

Use correct size tool to avoid stripping bolts!

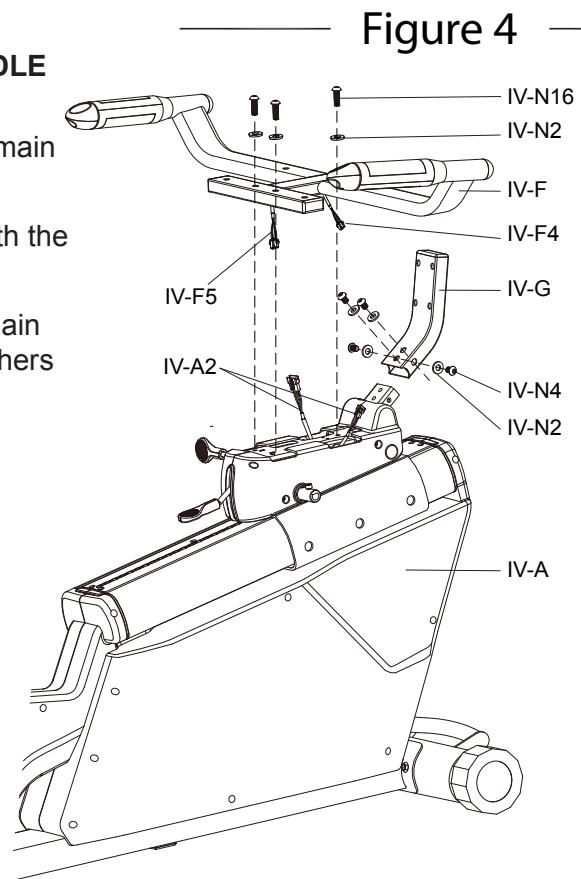


Figure 4

FIGURE 5

ASSEMBLE THE BACK & SEAT PAD

Step 1. Attach back pad (IV-L) onto back pad support tube (IV-G) and tighten 4x bolts (IV-N7). Secure the seat pad (IV-K) onto the side handlebar (IV-F) by 4x washers (IV-N2) and 4x bolts (IV-N10).

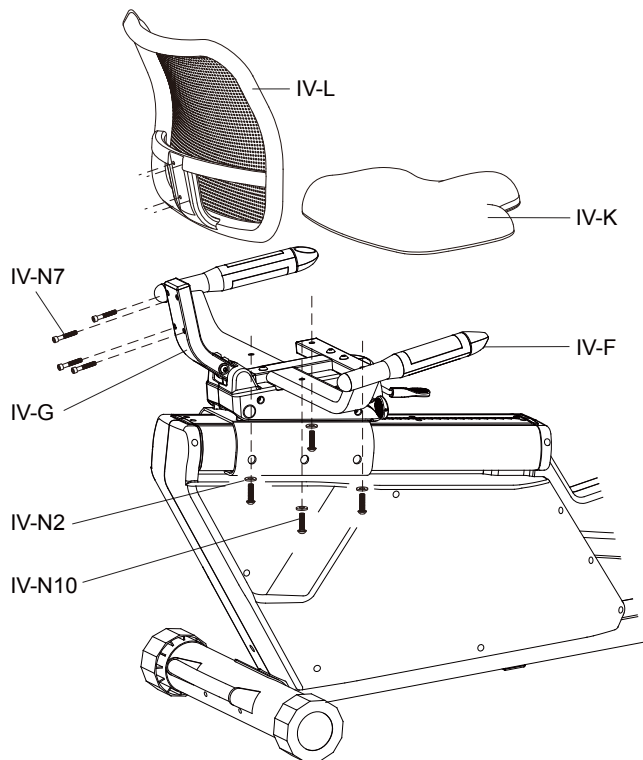


Figure 5

Figure 6

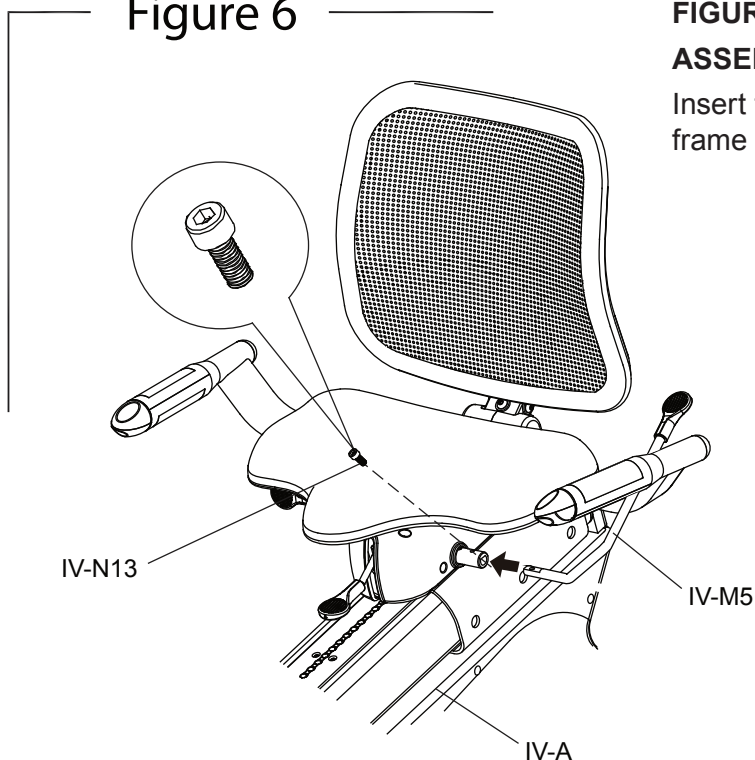


FIGURE 6

ASSEMBLE THE ADJUSTMENT BAR

Insert the adjustment bar (IV-M5) into the main frame (IV-A) and use 1x bolt (IV-N13) to secure.

Figure 7

CONNECTING THE PEDALS

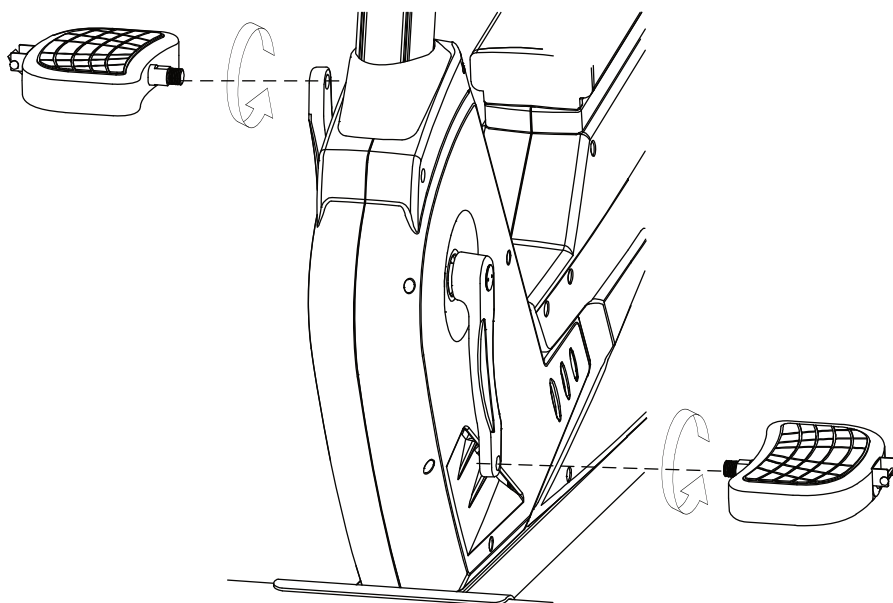
Attach the right pedal to user right side crank and left pedal to left crank. Pay special attention to the user left side pedal “reverse threading”. To tighten the user LEFT SIDE PEDAL, you will turn the pedal bolt “counter clockwise”.

IMPORTANT! TIGHTEN BOTH PEDALS VERY TIGHT!!!

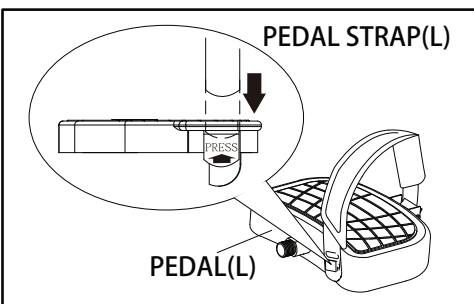
WARNING

PLEASE READ! POTENTIAL SERVICE ISSUE!

1. Pedals must be tightened very tight to crank arm. Failure to do so will result in pedal bearing failure!
2. Use correct size tool to avoid stripping bolts!



PEDAL STRAP(L)



PEDAL(L)

Figure 8

FIGURE 8

POWERING YOUR BIKE

Please be aware that your power adaptor will plug into the back of your bike so you should position your machine close to a wall. Standard grounded 15 amp outlet is required.

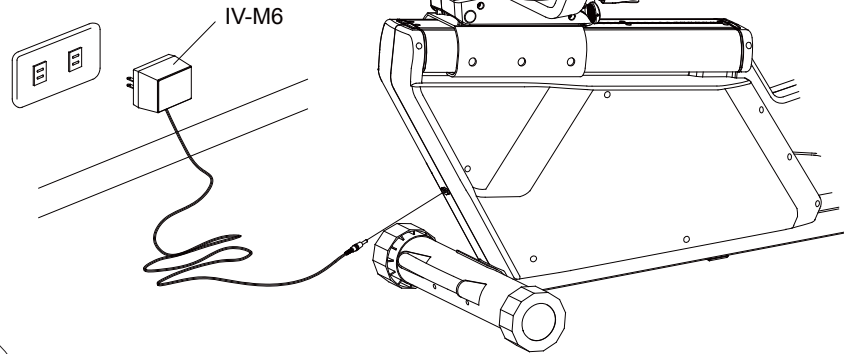


Figure 9

FIGURE 9

HOW TO ADJUST THE BACK PAD

Pull the handle bar to adjust the tilt of the back pad to the desired position.

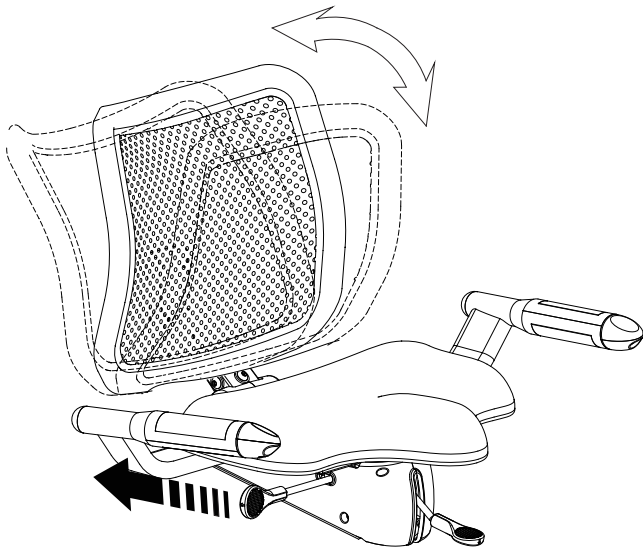


Figure 10

FIGURE 10

SEAT POSITION ADJUSTMENT

Step 1. Lift the bar (IV-G44) and adjust the seat to a comfortable position. To adjust the seat properly you should have a slight bend in your knees.

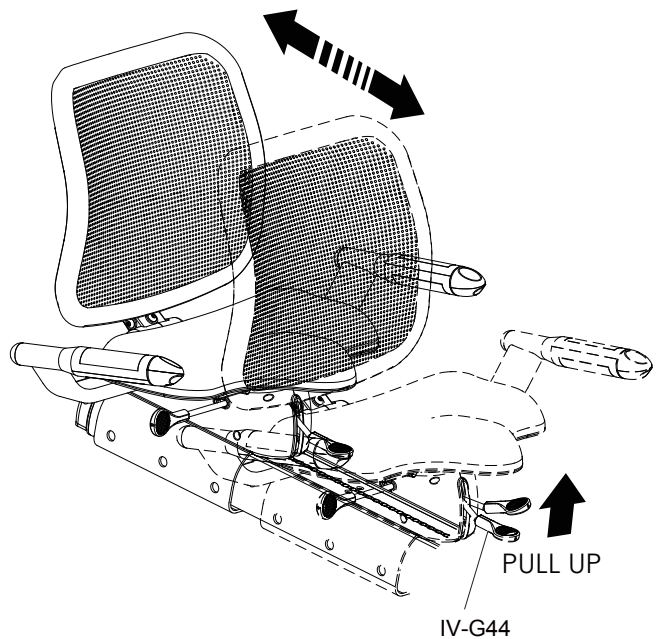


Figure 11

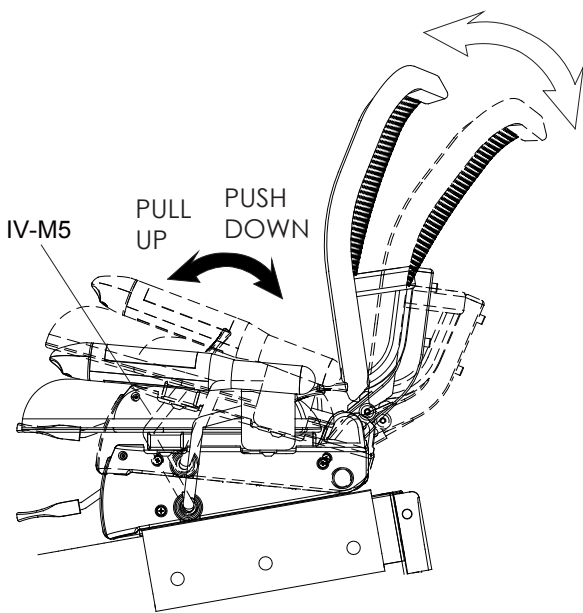


FIGURE 11

SEAT AND BACK PAD TILT ADJUSTMENT

Using the adjustment bar (IV-M5), set your desired seat position.

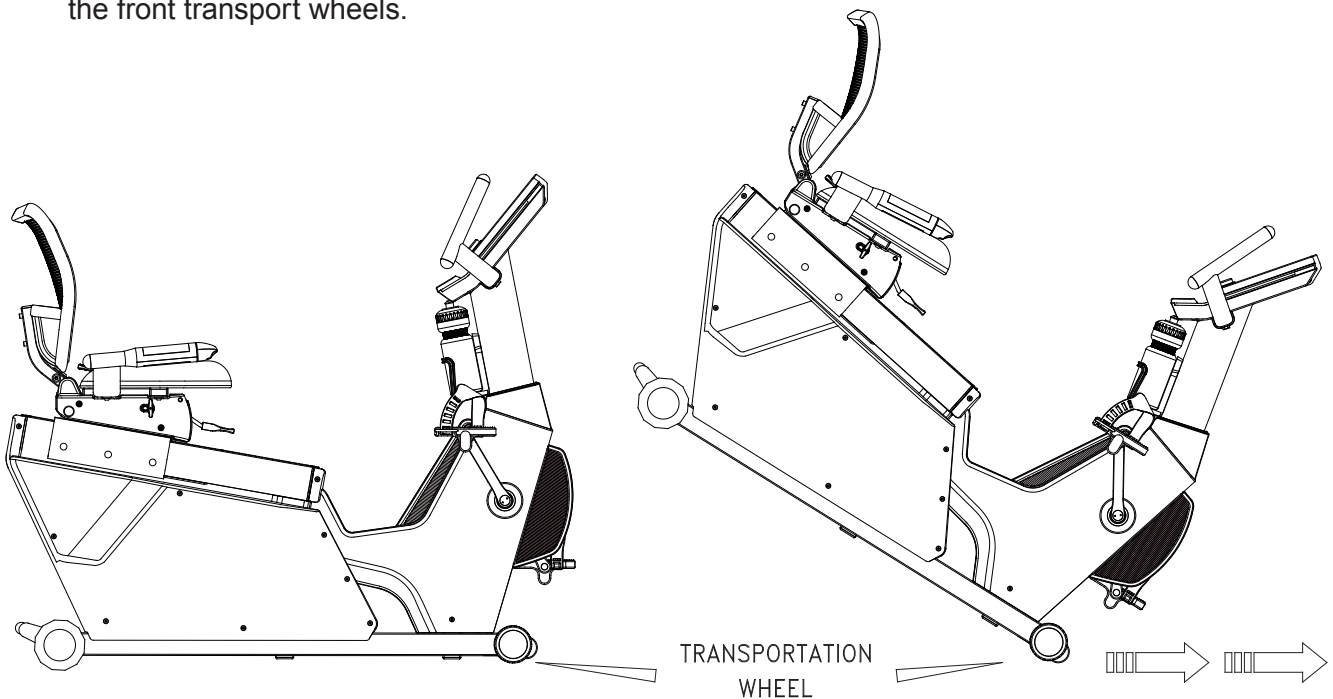
Figure 12

FIGURE 12





MOVING YOUR 3G CARDIO RECUMBENT BIKE

WARNING! USE CAUTION WHEN LIFTING OR ROLLING HEAVY ITEMS!

The front stabilizer tube has built-in transport wheels. Stand at the rear of the machine, hold securely onto the handle and lift up until the weight of the machine is transferred to the front transport wheels.



BUTTON FUNCTIONS

	RIGHT	To change screen data or increase training resistance levels.
	LEFT	To change screen data or decrease training resistance levels.
	ENTER	To confirm or approve settings.
	START / STOP	To start a QUICK START workout or stop a workout.
	RESET	Press the RESET button for 5 seconds to reset the electronics display to the default screen.
	RECOVERY	To activate RECOVERY function.



DISPLAY FUNCTIONS

TIME	Time will count from 00:00 to a maximum 99:00 minutes and can be set in 1 minute intervals. Time can be set to count up or down.
SPEED	Displays current training speed in MPH. Can be changed to read KPH.
RPM	Displays the Rotation Per Minute. Display range 0~100 RPM
DISTANCE	Accumulates total distance from 0 to 99.9 miles. The user may set a target distance goal by adjusting the Toggle Wheel. Each increment is 0.1 miles.
CALORIES	Accumulates an estimated caloric expenditure during training from 0 to a maximum of 999 calories. (This calorie reading is an estimate and should not be used for medical purposes and / or for the treating of any medical condition)
PULSE	User may set a desired target heart rate up to 230 BPM.
WATTS	Display current workout watts. Display range 0~999.

POWERING ON: Make sure bike is plugged in. To power on simply pedal the bike or press any button on the console. Press the RESET button for 5 seconds to return to the home screen. The LCD display will turn all console lights on and you will hear a long 2 second beep. See below (FIGURE 1 & 2).

POWERING OFF: The bike will automatically power off after 5 minutes of inactivity or press/hold the Toggle Wheel and Stop / Start at the same time for 3 seconds to shut off instantly.

(1) Turn the Toggle Wheel to select User 1~4 and press ENTER for confirmation. (FIGURE 3~4).

(2) Define user information for SEX, AGE, HEIGHT and WEIGHT. (FIGURE 5-8)

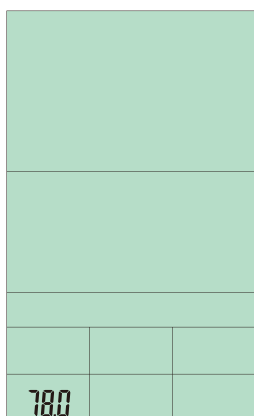


FIGURE 1

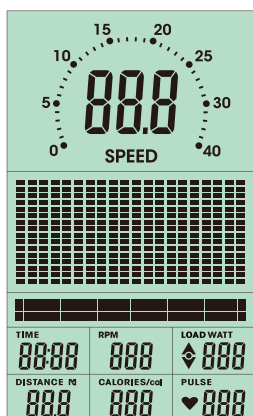


FIGURE 2

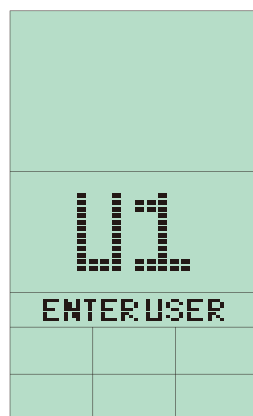


FIGURE 3

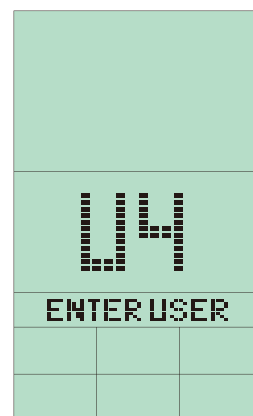


FIGURE 4



FIGURE 5

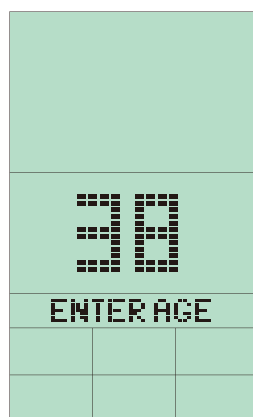


FIGURE 6

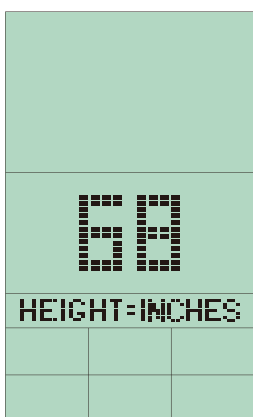


FIGURE 7

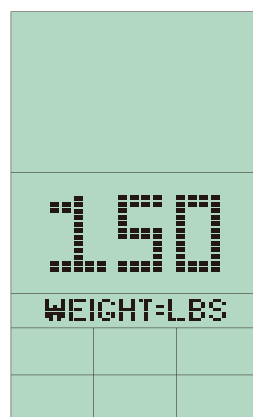
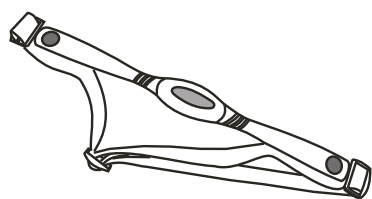


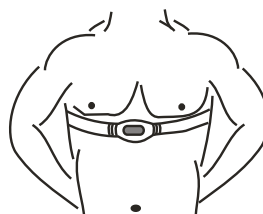
FIGURE 8

CHEST STRAP TRANSMITTER

To operate HRC, the user needs to wear the included wireless chest strap transmitter under their shirt.



CHEST STRAP (TRANSMITTER)



PROGRAMMING MODE

1. Quick Start – Press the START button for Quick Start / Manual mode. (FIG 9)
2. Program selections are MANUAL → PROGRAM → USER PROGRAM H.R.C. → WATT (FIGURE 9~13)
3. Rotate the Toggle Wheel to select the program you want and press ENTER to confirm.

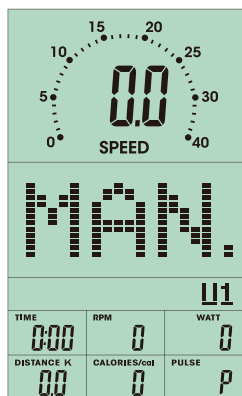


FIGURE 9

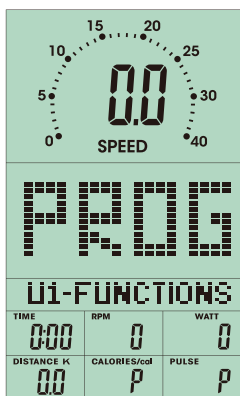


FIGURE 10

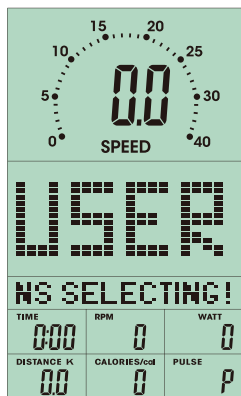


FIGURE 11

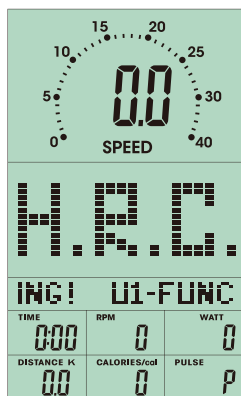


FIGURE 12

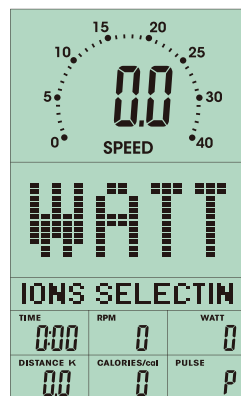


FIGURE 13

QUICK START IN MANUAL

1. Press ENTER to enter into a MANUAL program (FIGURE 14).
2. Press START/STOP to begin program. The resistance level (load) is adjustable during workout.
3. User can press START/ STOP to end program.

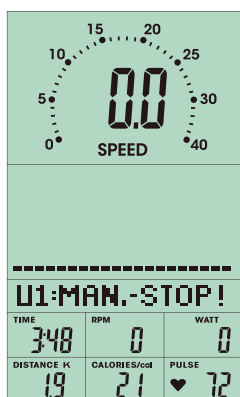


FIGURE 14

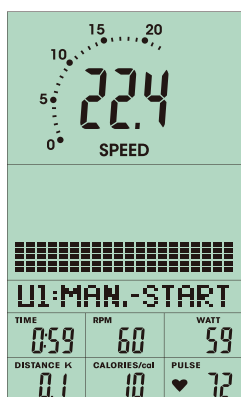


FIGURE 15

MANUAL MODE

1. After selecting MANUAL mode (FIGURE 14), user can adjust the Toggle Wheel to increase / decrease resistance level from 1 to 16, Press ENTER to confirm.
2. TIME, DISTANCE, CALORIES, and PULSE may be preset prior to the start of a workout. Rotate the Toggle Wheel to adjust goal data and press ENTER to confirm. Press RESET to return to the MANUAL setting.
3. Resistance level (load) is adjustable during the workout.

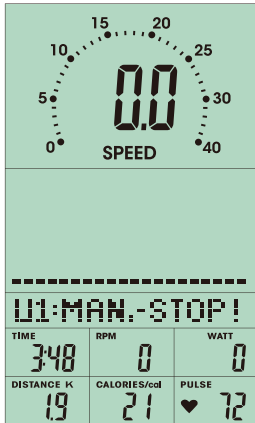


FIGURE 14

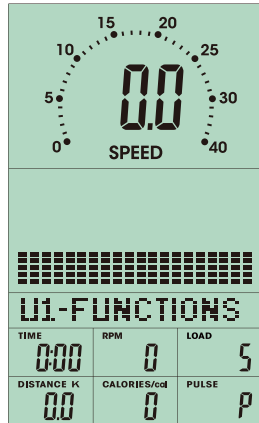


FIGURE 15

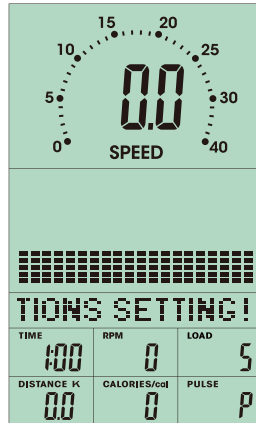


FIGURE 16

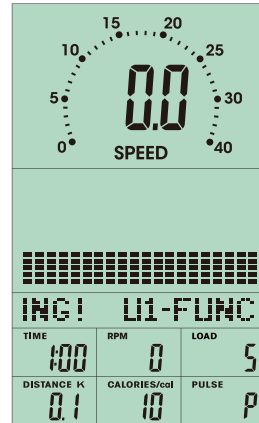


FIGURE 17

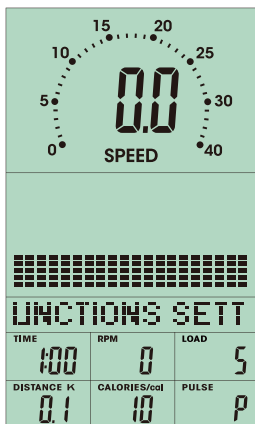


FIGURE 18

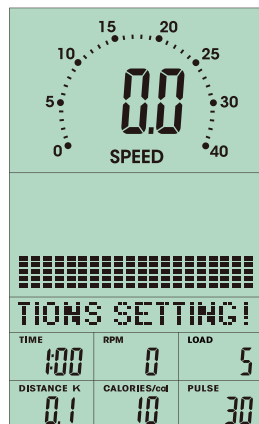


FIGURE 19

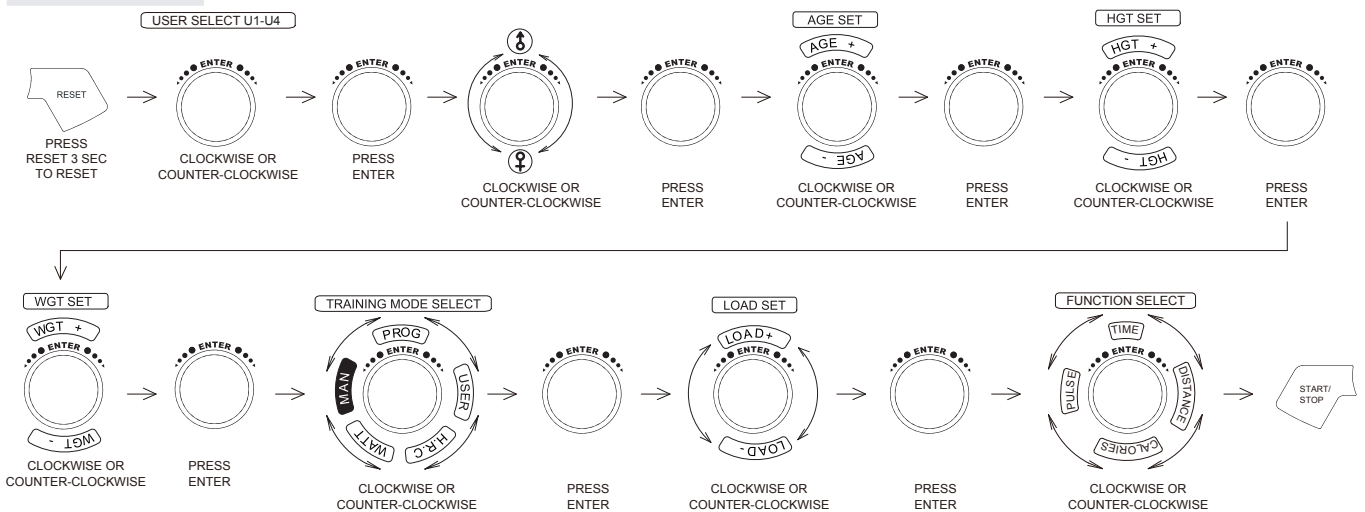


FIGURE 20



FIGURE 21

MANUAL mode



PROGRAM MODE

1. After entering PROGRAM mode, turn the Toggle Wheel to select a program from P1 to P12, press ENTER to confirm.
2. Preset the desired workout TIME and press START/STOP to start workout or press ENTER to adjust additional target goals such as TIME, DISTANCE, CALORIES, and PULSE.

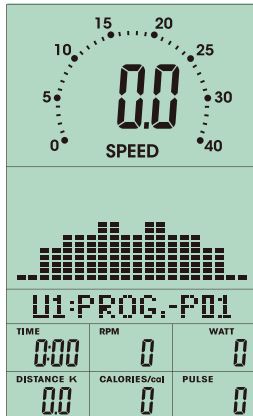


FIGURE 22

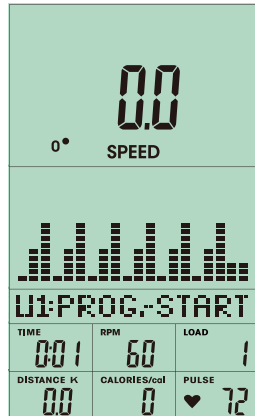


FIGURE 23

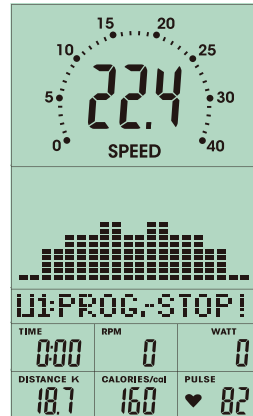


FIGURE 24

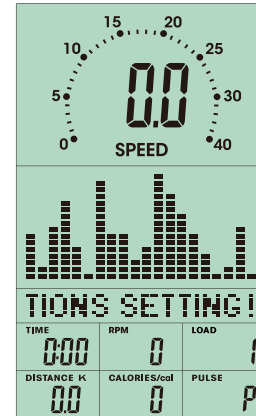
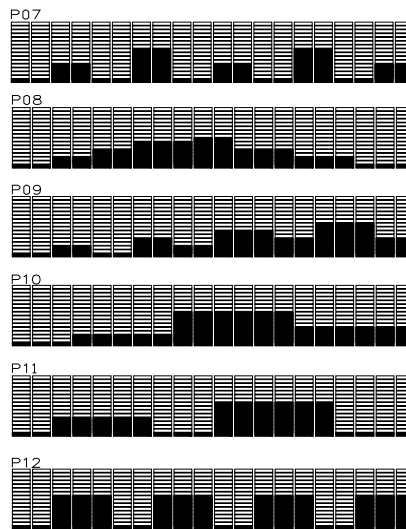
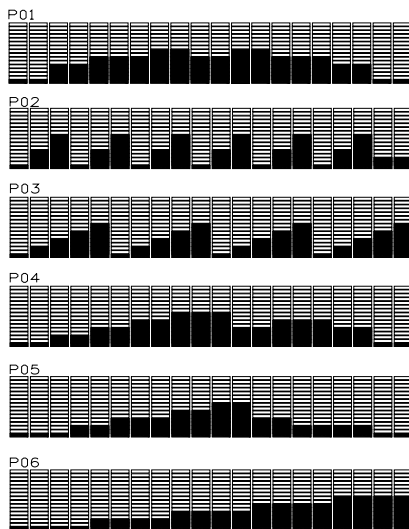
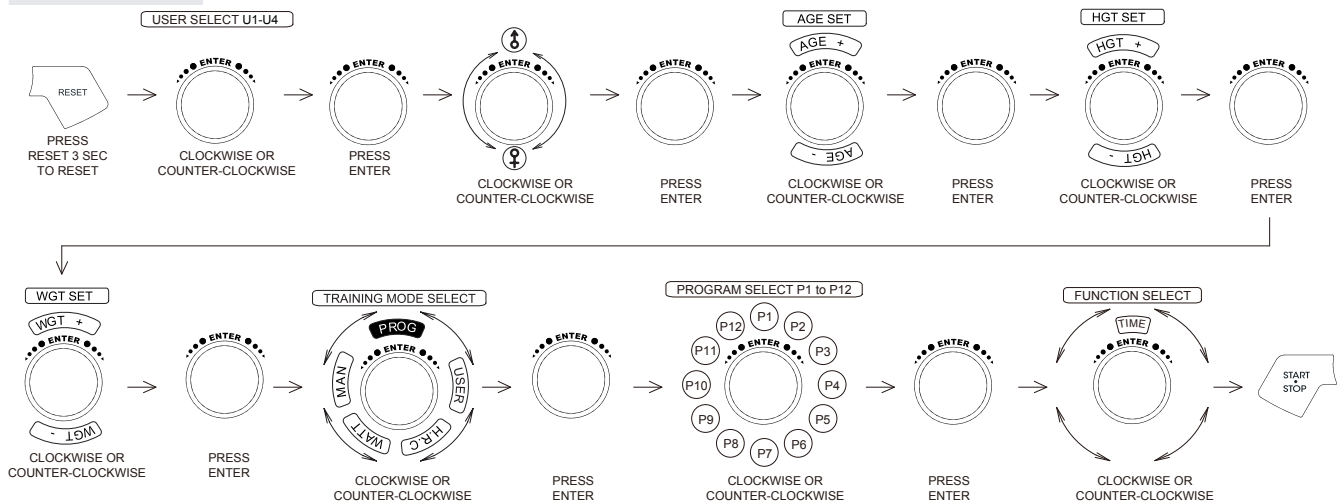


FIGURE 25



PROGRAM mode



USER PROGRAM

1. After entering into the USER PROGRAM mode, the first column of the profile will blink. (FIGURE 26). To customize, turn the Toggle Wheel to adjust the first column resistance level (FIGURE 27), press ENTER and adjust the 2nd column. Repeat 1 – 20 Levels.

While making the profile setting, user can press RESET and return to the menu.

2. When the workout time expires (FIGURE 28~30), the screen will flash and an alarm will sound. The alarm can be stopped by pressing any button.

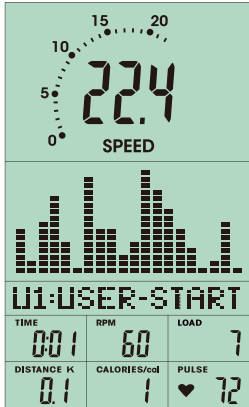


FIGURE 26

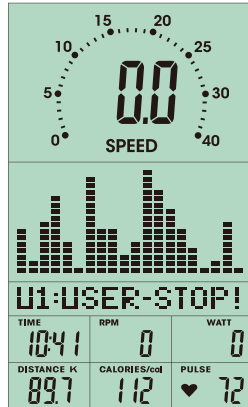


FIGURE 27

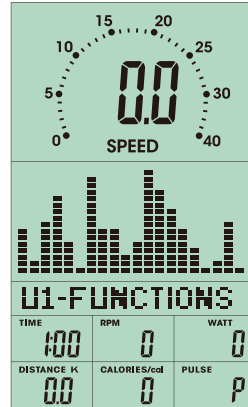


FIGURE 28

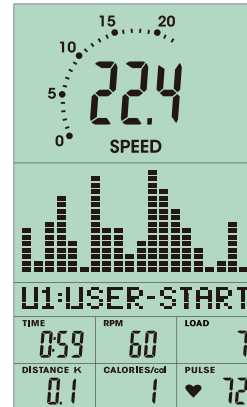


FIGURE 29

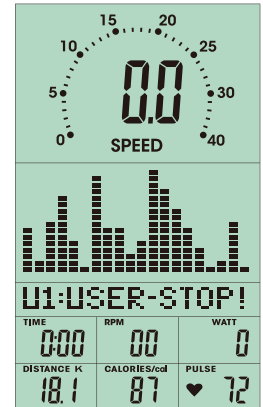
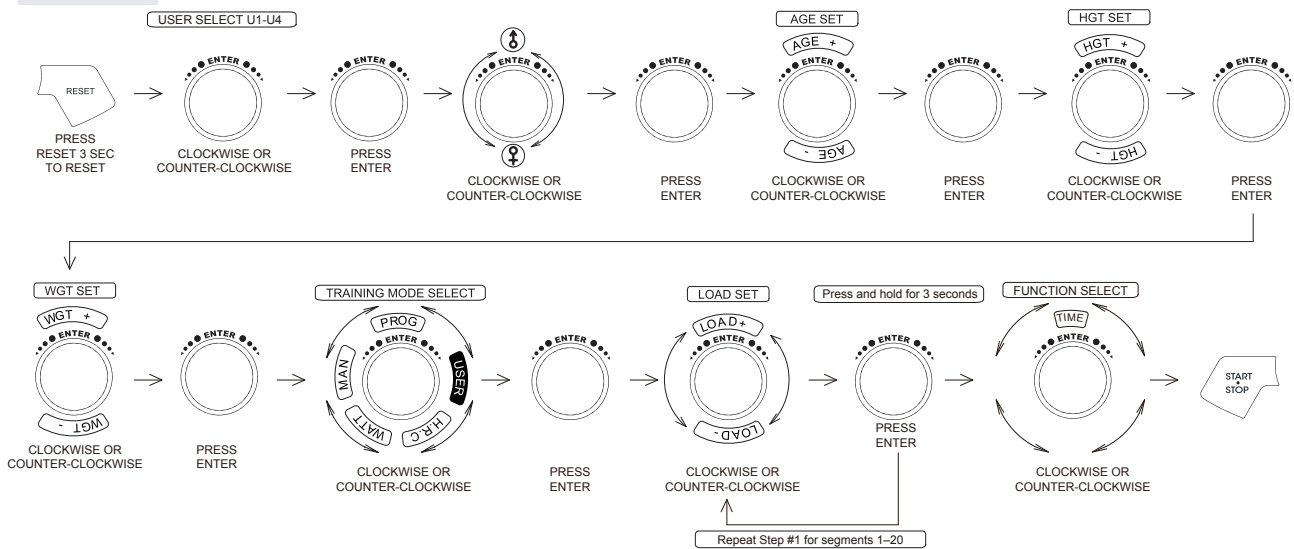


FIGURE 30

USER mode




HEART RATE CONTROL

1. After entering into HEART RATE CONTROL mode, the screen will show heart rate percentage 55%, 75%, 90% and TARGET. Select desired heart rate percentage by turning the Toggle Wheel. In this mode, the computer will adjust your resistance level (load) to keep you in your desired heart rate range. If your HR is too high, the bike will adjust down your level. If you HR is too low, the bike will adjust the resistance level higher.

2. For your safety, make sure you understand how to choose a desired heart rate goal.

3. Preset desired TIME and then press START/ STOP to begin program.

4. If you have any known heart / cardiovascular issues you must consult with your doctor to find out if you are healthy enough for exercise.

5. Once started, TIME will count down to 0. If there is no HR signal received for 5 seconds, LCD will display  until a HR signal is received.

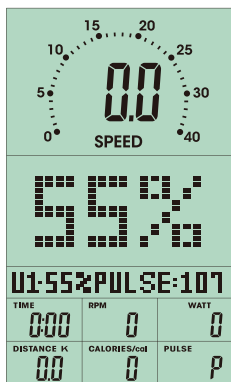


FIGURE 30

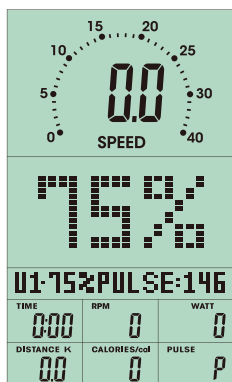


FIGURE 31

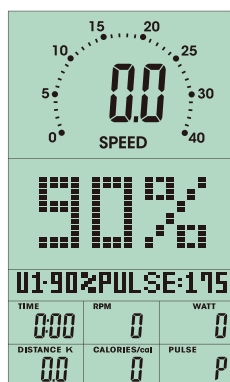


FIGURE 32

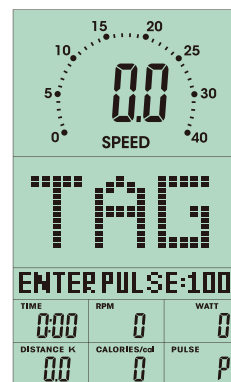


FIGURE 33



FIGURE 34



FIGURE 35



FIGURE 36

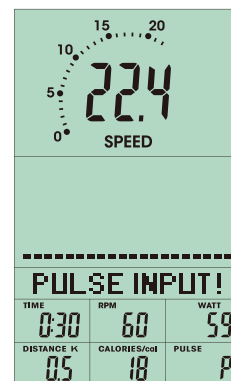
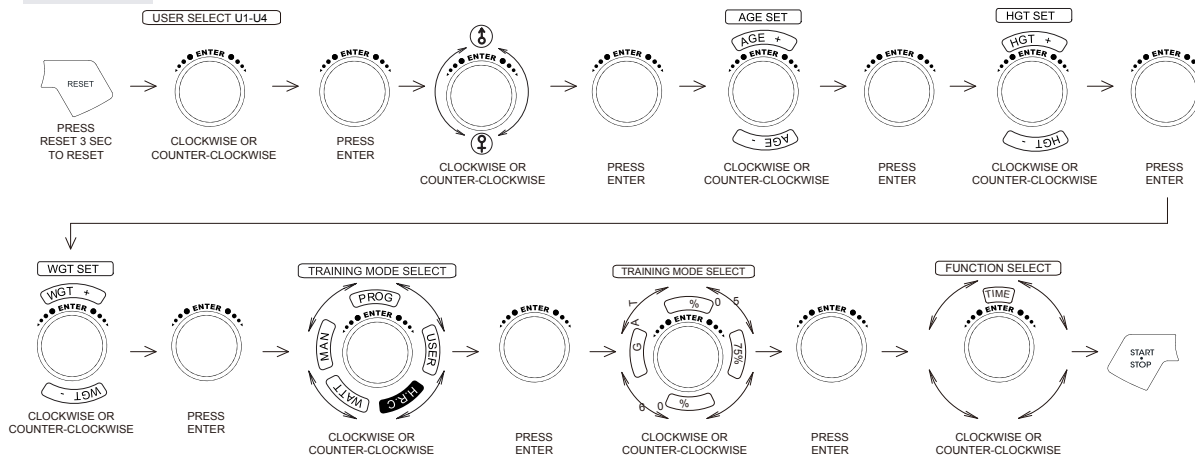


FIGURE 37

H.R.C. mode



CONSTANT WATTS

1. In standby mode, select WATT and press ENTER.
2. WATTS is a unit of measure for how much energy is generated while pedaling the bike.
3. The default WATT value flashing on the screen will read 120. Turn the Toggle Wheel to set a target WATT goal from 10 to 350. Press START button to begin program.
4. Preset the desired TIME then press START/STOP to start program.
5. Once the program starts, TIME will count down to 0 and the program will end, the screen will flash and the alarm will sound. User can press any button to stop the alarm.
6. The target WATT goal is adjustable during a workout. Turn the Toggle Wheel to adjust the desired Watt goal per the instructions below:

● **If you have any known heart / cardiovascular issues you must consult with your doctor to find out if you are healthy enough for exercise.**



FIGURE 38



FIGURE 39



FIGURE 40

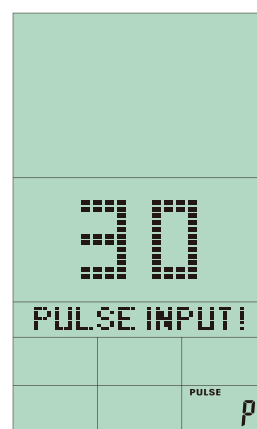
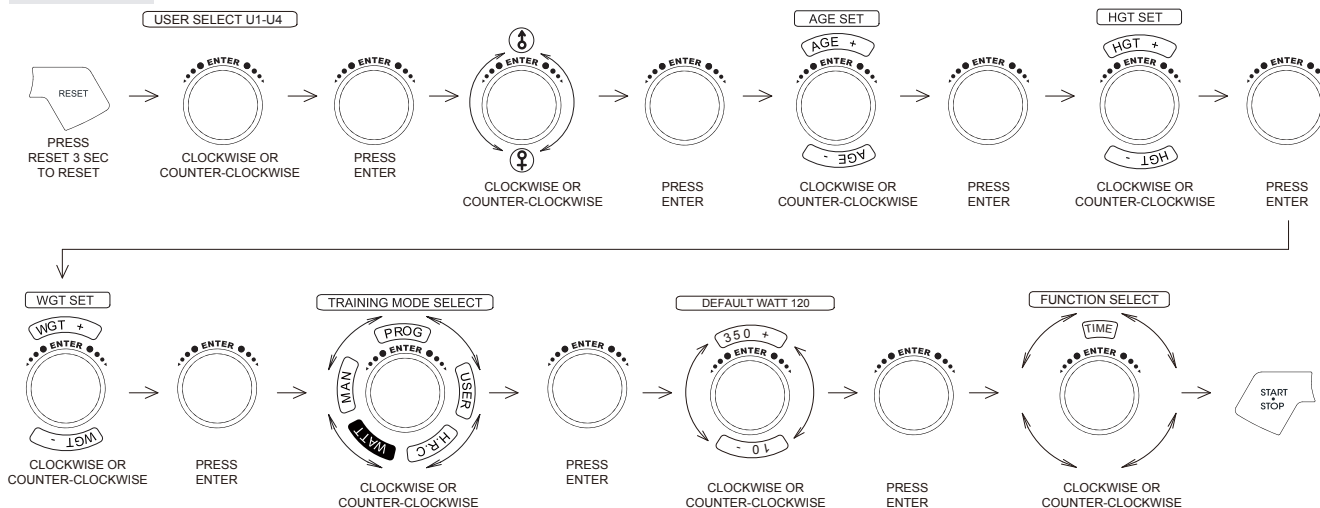


FIGURE 41

WATT mode



RECOVERY

At any point during the workout, while holding onto the side heart rate handgrips, press the “RECOVERY” button. All functions on the display will stop except “TIME” which will start counting down from 00:60 to 00:00. The screen will display your heart rate recovery status with a F1, F2...to F6. F1 is the best, F6 is the worst. (Press the RECOVERY button again to return the main display.) **If you have any known heart / cardiovascular issues you must consult with your doctor to find out if you are healthy enough for exercise.**

Unit of Measure Adjustment – Miles / Kilometers



1. While powering on display, press and hold the START - STOP/RESET buttons simultaneously for 3 seconds.

2. Rotate dial to display Kilometers or Miles.



3. Choose preferred unit of measure setting.

4. Press Enter button to confirm settings. The console will automatically power off and new settings are saved.

Maintenance of your 3G Cardio Bike

WARNING: Always unplug your 3G Cardio Bike prior to cleaning and servicing to avoid electrical hazard or shock.

Always wipe down your exercise bike after a workout. Sweat and perspiration is very corrosive to metal and electronics and a good cleaning after a workout will keep your bike from potential long term damage. Never use unapproved chemicals and solvents to clean your bike.

A protective coating has been applied to the electronics display and only cleaning solutions meant for electronics should be used. This type of cleaner can easily be found online or at your local hardware store and is the same type of cleaner used on flat screen TVs and computers. If you ever have questions about the cleaning and care of your 3G Cardio product, call us at 888-888-7985 or by email at Support@3GCardio.com.

Before each use, it is very important to check the bike for loose bolts, knobs, levers or screws and if found, resolve before performing any exercise. If you hear, feel or notice any type of sound, scraping, clunking or grinding, contact an authorized 3G Cardio service technician or call us directly at 888-888-7985. We will help to resolve the problem.

It will be important to do this asap as a small problem can turn into a bigger problem if left unresolved. It is also important to resolve any issues to prevent a potential safety issue.

After the initial 10-12 hours of use, please check and tighten the crank arm bolts (bolts that attach pedals to crank arms). These bolts must be tightened very securely upon initial assembly and if not tightened securely, very likely may loosen and create an issue with the internal bearings inside the pedals. If not securely tightened and a service issue develops, this may not be covered under the manufacturer's warranty.

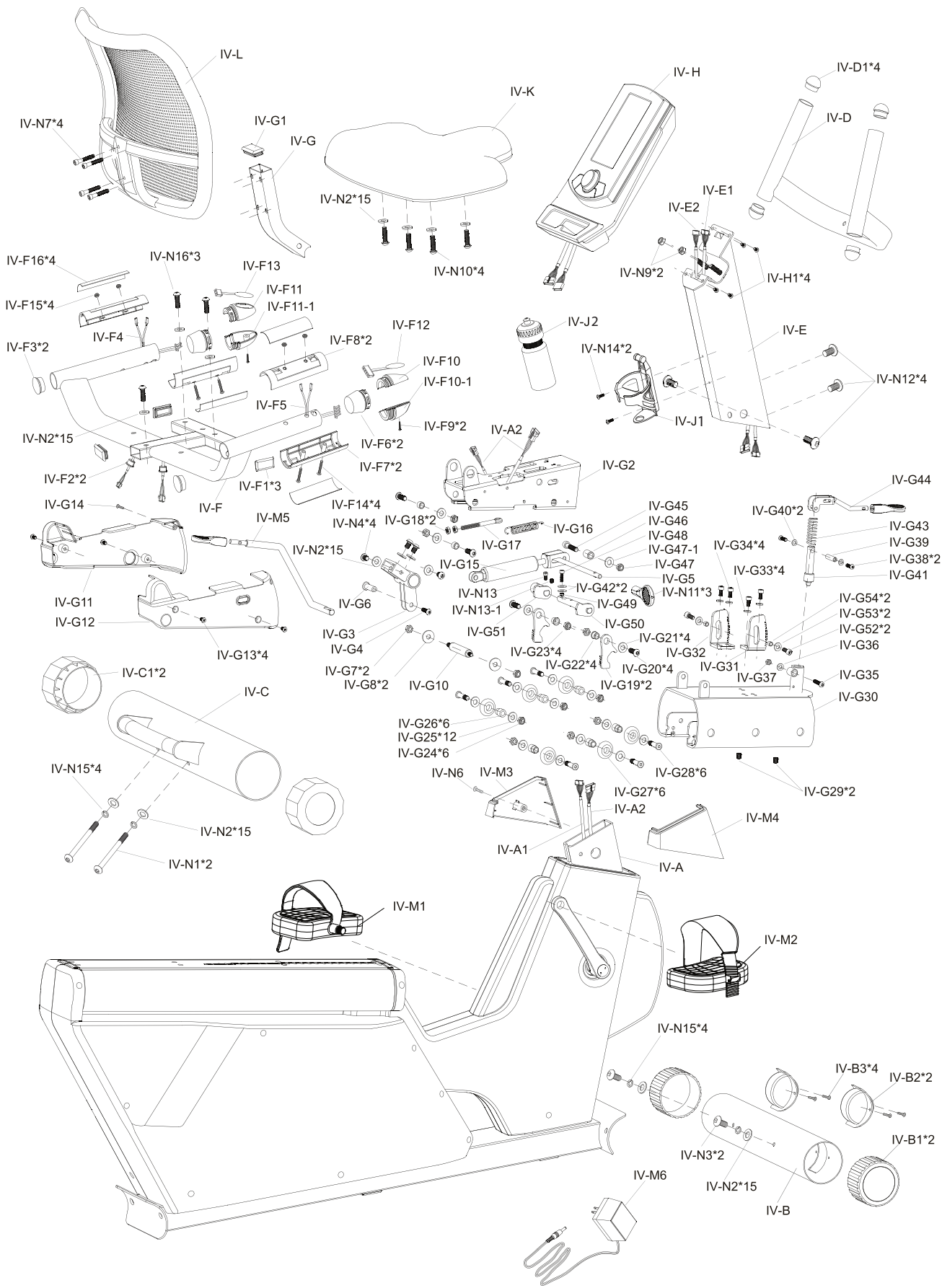
WARNING

PLEASE READ! POTENTIAL SERVICE ISSUE!

1. Pedals must be tightened very tight to crank arm.
Failure to do so will result in pedal bearing failure!
2. Use correct size tool to avoid stripping bolts!

If you have any questions about assembly, service or about the bike in general, please call us at 888-888-7985.

Exploded Diagram



P/N	DESCRIPTION	QTY	P/N	DESCRIPTION	QTY
IV-A	MAIN FRAME	1	IV-A60	NUT(M17 X P1.0 X 8t)	2
IV-A1	SENSOR(1100MM)	1	IV-A61	WASHER(Ø13 X Ø6 1t)	4
IV-A2	SENSOR(1350MM)	1	IV-A62	NUT(M6 X P1.0)	4
IV-A3	MOTOR	1	IV-A63	NUT(M10 X P1.25 X 7t)	2
IV-A5	SENSOR(950MM)	1	IV-A64	END CAP	2
IV-A6	SCREW	1	IV-A65	FRONT SHROUD COVER (L)	1
IV-A7	SENSOR HOLDER	1	IV-A66	FRONT SHROUD COVER (R)	1
IV-A8	BEARING (6201ZZ)	2	IV-A67	REAR SHROUD COVER (R)	1
IV-A9	WASHER	1	IV-A68	REAR SHROUD COVER (L)	1
IV-A10	NUT(M12 X P1.75 X 12t)	1	IV-A69	SCREW(M4 X P0.7 X 15L)	15
IV-A11	SCREW(M5 X 0.8 X15t)	4	IV-A70	CRANK(L)(9/16" X 170 mm)	1
IV-A12	TENSION CABLE	1	IV-A71	CRANK(R)(9/16" X 170 mm)	1
IV-A16	SENSOR WIRE(950MM)	1	IV-A72	SPRING(Ø1.2 X 67L)	1
IV-A17	BELT(1956L-J6)	1	IV-B	FRONT STABILIZER(Ø76.2 X 1.5t X 400mm)	1
IV-A18	DRIVING WHEEL(Ø250 X Ø45 X 47t)	1	IV-B1	END CAP	2
IV-A19	AXLE(Ø20 X 121L)	1	IV-B2	WHEEL	2
IV-A20	BEARING(6003)	2	IV-B3	SCREW(M4 X 10L)	4
IV-A21	PULLY(Ø35-8PJ X 60t)	1	IV-C	REAR STABILIZER(Ø76.2 X 1.5t X 400mm)	1
IV-A22	BEARING(6001ZZ)	1	IV-C1	END CAP	2
IV-A23	ONE WAY BEARING	1	IV-D	FRONT HANDLE BAR	1
IV-A24	SCREW(M8 X P1.25 X 35L)		IV-D1	END CAP	4
IV-A25	BEARING(6001ZZ)	1	IV-E	CENTRAL SUPPORT TUBE	1
IV-A26	C CLIP	1	IV-E1	SENSOR WIRE(500MM)	1
IV-A27	NUT(Ø3/8" X 6t)	5	IV-E2	SENSOR WIRE(500MM)	1
IV-A29	SCREW(M6 X P1.0 X 40L)	2	IV-F	SIDE HANDLE BAR	1
IV-A30	NUT(3/8" X 3t)	1	IV-F1	END CAP(20 X 40 mm)	5
IV-A31	NUT(M6 X P1.0)	2	IV-F2	END CAP	2
IV-A32	STEEL SHIELD	2	IV-F3	END CAP	2
IV-A33	MAGNETIC HOUSING	1	IV-F4	SENSOR WIRE(L)(650MM)	1
IV-A34	NUT(M6 X P1.0)	1	IV-F5	SENSOR WIRE(R)(650MM)	1
IV-A35	SCREW(M6 X P1.0 X 60L)	1	IV-F6	END CAP	2
IV-A37	BUSHING(Ø12 X Ø6.2 X 45.2L)	1	IV-F7	SENSOR BOX(BELOW)	2
IV-A38	WASHER(Ø16 X Ø6 X2t)	2	IV-F8	SENSOR BOX(ABOVE)	2
IV-A41	STRIP OF TRACKING HOUSING	1	IV-F9	SCREW(M4 X 12L)	2
IV-A42	SCREW(M5 X P0.8 X 10L)	8	IV-F10	CONTROL BOX(ABOVE)- R	1
IV-A43	SCREW(M8 X P1.25 X 40L)	4	IV-F10-1	CONTROL BOX(BELOW)- R	1
IV-A44	ALUMINUM HOUSING(22 X 55.2 X 5t)	2	IV-F11	CONTROL BOX(ABOVE)- L	1
IV-A45	ALUMINUM TRACK(640L)	1	IV-F11-1	CONTROL BOX(BELOW)- L	1
IV-A47	ALUMINUM HOUSING	2	IV-F12	MYLAR BUTTON(R)	1
IV-A49	SCREW	4	IV-F13	MYLAR BUTTON (L)	1
IV-A50	SCREW(M4 X P0.7 X 15L)	8	IV-F14	SCREW(M3)	4
IV-A52	DRIVING WHEEL(Ø260 X 6PJ X 21t)	1	IV-F15	NUT(M3)	4
IV-A53	MAGNETIC	1	IV-F16	SENSOR SHEET METAL	4
IV-A54	AXLE(Ø25 X 20 X 124.3)-L	1	IV-G	BACK PAD SUPPORT TUBE	1
IV-A55	SCREW(M6 X P1.0 X 15L)	4	IV-G1	END CAP(25 X50mm)	1
IV-A56	BEARING(6004ZZ)	2	IV-G2	SADDLE BASEMENT	1
IV-A57	PULLEY HOUSING	2	IV-G3	ROTATE RECIPROCATOR	1
IV-A59	SCREW(M6 X P1.0 X 12L)	12	IV-G4	SCREW (M6 X 1.0 X 12L)	1

P/N	DESCRIPTION	QTY	P/N	DESCRIPTION	QTY
IV-G5	AXLE	1	IV-G45	SCREW(M8 X P1.25 X 45L)	1
IV-G6	NUT(Ø8 X 18L)	1	IV-G46	BUSHING (Ø15 X Ø8.5 X 19.8L)	1
IV-G7	NUT(M8 X P1.25)	2	IV-G47	NUT(M8 X P1.25)	1
IV-G8	WASHER(Ø18 X Ø8.5 X 1.5t)	2	IV-G47-1	WASHER(Ø16 X Ø8.5 X 1.5t)	1
IV-G10	AXLE(Ø16 X 87L)	1	IV-G48	SCREW(M6 X P1.0 X20L)	1
IV-G11	COVER OF SEAT TUBE (L)	1	IV-G49	NUT(M6 X P1.0)	1
IV-G12	COVER OF SEAT TUBE (R)	1	IV-G50	AXLE GRIP	1
IV-G13	SCREW(M5 X P0.8 X 10L)	4	IV-G51	ADJUSTING AXLE	1
IV-G14	SCREW(M3 X 15L)	1	IV-G52	SCREW(M6 X P1.0 X 15L)	2
IV-G15	GAS CYLINDNER	1	IV-G53	WASHER(Ø19 X Ø6 X 1.5t)	2
IV-G16	SPRING(Ø2.6 X Ø11 X 93.6L)	1	IV-G54	BUSHING(Ø10 X Ø6 X 7.5L)	2
IV-G17	SCREW(M6 X P1.0 X 30L)	1	IV-H	CONSOLE	1
IV-G18	NUT(M6 X P1.0)	2	IV-H1	SCREW	4
IV-G19	BRACKET	2	IV-J	BOTTLE HOLDER	1
IV-G20	SCREW(M8 X P1.25 X 20L)	4	IV-J1	WATER BOTTLE	1
IV-G21	WASHER(Ø16 X Ø8.5 X 1.5t)	4	IV-K	SEAT	1
IV-G22	BUSHING (Ø12 X Ø7.9 X 9.3t)	4	IV-L	BACK PAD	1
IV-G23	NUT(M8 X P1.25)	4	IV-M1	PEDAL(L)	1
IV-G24	NUT(M8 X P1.25)	6	IV-M2	PEDAL(R)	1
IV-G25	WASHER(Ø16 X Ø8.5 X Ø1.5t)	12	IV-M3	CENTRAL SUPPORTING TUBE COVER (L)	1
IV-G26	BUSHING (Ø14 X Ø8 X 19.3L)	6	IV-M4	CENTRAL SUPPORTING TUBE COVER (R)	1
IV-G27	WHEEL(Ø32.5 X 11t)	6	IV-M5	BAR	1
IV-G28	SCREW(M8 X P1.25 X 35L)	6	IV-M6	ADAPTOR	1
IV-G29	SCREW(M5 X P0.8 X 16L)	2	IV-N1	SCREW(m8 x p1.25 x 90L)	2
IV-G30	MOVING BASEMENT	1	IV-N2	WASHER(Ø16 X Ø8.5 X 1.5t)	15
IV-G31	SLIDING HOUSING (R)	1	IV-N3	SCREW(M8 X P1.25 X 20L)	2
IV-G32	SLIDING HOUSING (L)	1	IV-N4	SCREW(M8 X P1.25 X 15L)	4
IV-G33	WASHER (Ø13 X Ø6 X 1t)	4	IV-N6	SCREW(M4 X 20L)	1
IV-G34	SCREW(M6 X P1.0 X 10L)	4	IV-N7	SCREW(1/4 X 37L)	4
IV-G35	SCREW(M6 X P1.0 X 30L)	1	IV-N9	NUT(M8 X P1.25)	2
IV-G36	WASHER(Ø13 X Ø6 X 1t)	1	IV-N10	SCREW(M8 X P1.25 X 30L)	4
IV-G37	NUT(M6 X P1.0)	1	IV-N11	ADJUSTMENT PADDLE	3
IV-G38	SCREW(M5 X P0.8 X 8L)	1	IV-N12	SCREW(M8 X P1.25 X 15L)	4
IV-G39	BUSHING (Ø7.95 X 23L)	1	IV-N13	SCREW(M8 X P1.25 X 10L)	1
IV-G40	WASHER(Ø12 X Ø5 X 1t)	2	IV-N13-1	SCREW(M8 X P1.25 X 10L)	1
IV-G41	AXLE(Ø14 X Ø18 X 86L)	1	IV-N14	SCREW(M5 X 15L)	2
IV-G42	WASHER (Ø16 X Ø8.5 X 1.5t)	1	IV-N15	SPRING WASHER(M8)	4
IV-G43	SPRING(Ø2.2 X Ø14.2 X 48L)	1	IV-N16	SCREW(M8 X P1.25 X 30L)	3
IV-G44	ROTATE SHAFT	1			

3G Cardio Elite RB Recumbent Bike Warranty

What does this warranty cover? This warranty covers your 3G Cardio Elite RB Recumbent Bike against defects in material and workmanship when used for the purpose intended, under normal conditions, and provided it receives proper care and maintenance.

How long does the coverage last? Warranty starts from the date of purchase and is as follows:

Residential Warranty: Lifetime frame, 7 years parts, 1 year in-home labor.

Model	Labor	Parts	Max User Weight	Daily Usage	Voltage
Elite RB	1 Years	7 Years	350lbs	Up to 4 hours	Input: 100v – 240V – 50/60Hz Output: 9z = 1000mA 9W

*Light Commercial Warranty: 5 years frame, 2 years parts, 1 year on-site labor.

Model	Labor	Parts	Max User Weight	Daily Usage	Voltage Required
Elite RB	1 Year	2 Years	350lbs	Up to 6 hours	Input: 100v – 240V – 50/60Hz Output: 9z = 1000mA 9W

*A 3G Cardio product is placed into a location with a business address and therefore not a residential setting.

What will 3G Cardio do? 3G Cardio's manufacturer warranty will provide a replacement part and/or service at no charge for any part found defective in workmanship or materials during the warranty period.

How do you get service? In order to obtain replacement parts or service as provided by this warranty, please call the location where you purchased the bike or call 3G Cardio (1-888-888-7985) Monday through Friday 9:00 a.m. to 5:00 p.m. Arizona time. Ask to speak to the service department and please have your serial number, date of purchase, original bill of sale and location of purchase available.

This warranty shall not apply to a 3G Cardio Elite RB Recumbent Bike which is subject to misuse, neglect, accident, or unauthorized repairs and alterations. This warranty is only valid to the original owner and is nontransferable if sold, traded, bartered or for any other reason of change of ownership. An original bill of sale must be made available stating the purchase date, owner's name, model and place of sale in order to validate warranty. No exceptions will be made otherwise. All other obligations or liabilities, including liability for consequential damages, are hereby excluded. All of the parts for the 3G Cardio Elite RB Recumbent Bike can be ordered from 3G Cardio, 14647 So. 50th Street #110, Phoenix, Arizona 85044. Parts will be shipped and billed at the current prices, which are subject to change without notice.

Labor is covered under the manufacturer's warranty period where there is a local 3G Cardio service provider available. For inquiries on service providers and their locations please call toll free 1-888-888-7985.

Register your product at www.3gcardio.com/register



3G Cardio Fitness Equipment
14647 So. 50th Street Suite 110
Phoenix, AZ 85044

1-888-888-7985
www.3GCardio.com